

# HunterDouglas

Installation • Operation • Care



## **Horizontal Blinds**

Standard Cordlock, Moveable Slat  
Specialty Shapes, LiteRise®, SimpleLift™, and  
UltraGlide® Operating Systems

# CONTENTS

---

## GETTING STARTED

|  |   |
|--|---|
| Product View — Standard Cordlock and Moveable Slat Specialty Shapes..... | 1 |
| Product View — LiteRise®, SimpleLift™, and UltraGlide® .....             | 2 |
| Tools and Fasteners Needed .....   | 3 |
| Unpack the Blind.....  | 3 |

## INSTALLATION

|   |    |
|---|----|
| Installation Overview .....                                     | 4  |
| Mount the Installation Brackets — Inside or Ceiling Mount ..... | 6  |
| Mount the Installation Brackets — Outside Mount .....           | 8  |
| Install the Blind.....  | 11 |
| Complete the Installation .....                                 | 15 |

## OPERATION

|                        |    |
|------------------------|----|
| Operate the Blind..... | 20 |
| Troubleshooting .....  | 23 |

## CARE

|   |    |
|---|----|
| Removing the Blind (If Necessary) ..... | 26 |
| Cleaning Procedures .....               | 26 |

## CHILD SAFETY

|                                    |    |
|------------------------------------|----|
| Cord Connector .....               | 27 |
| Reassembly of Cord Connector ..... | 27 |
| Cord Cleats.....                   | 28 |

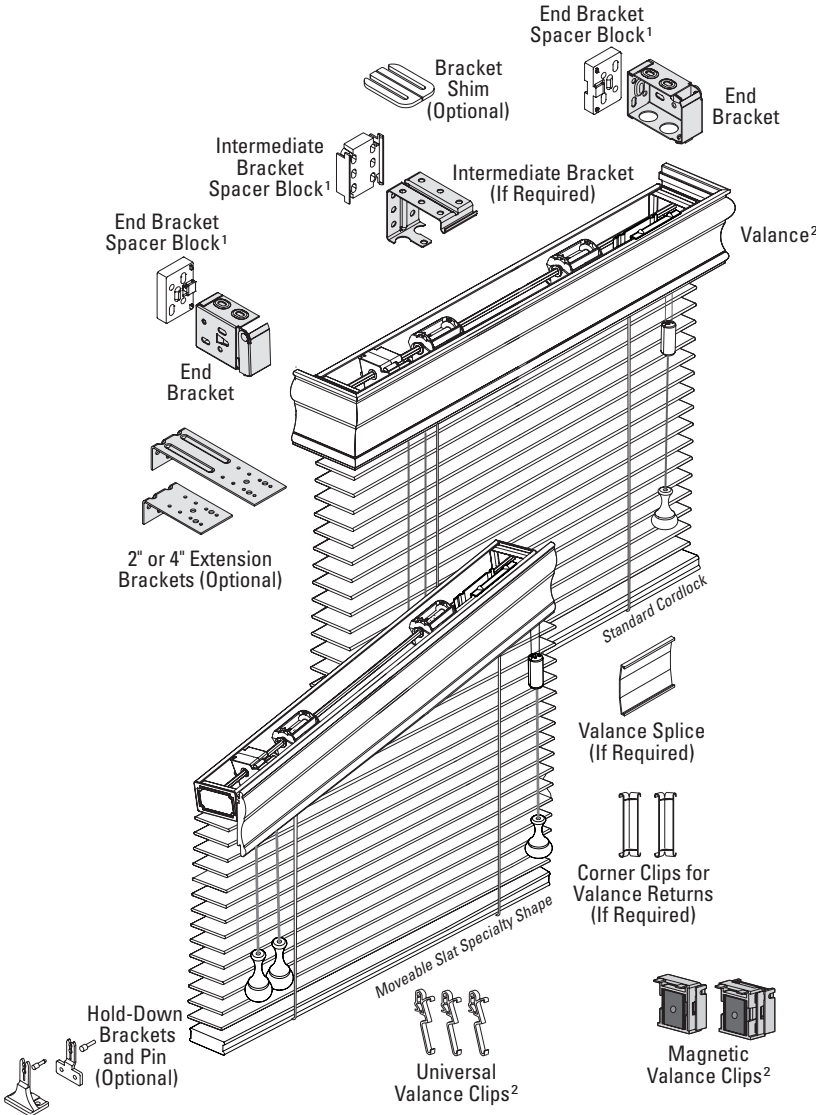
## WARRANTY .....Back Cover

---

### Questions?

Call Hunter Douglas Consumer Support at **1-888-501-8364**.

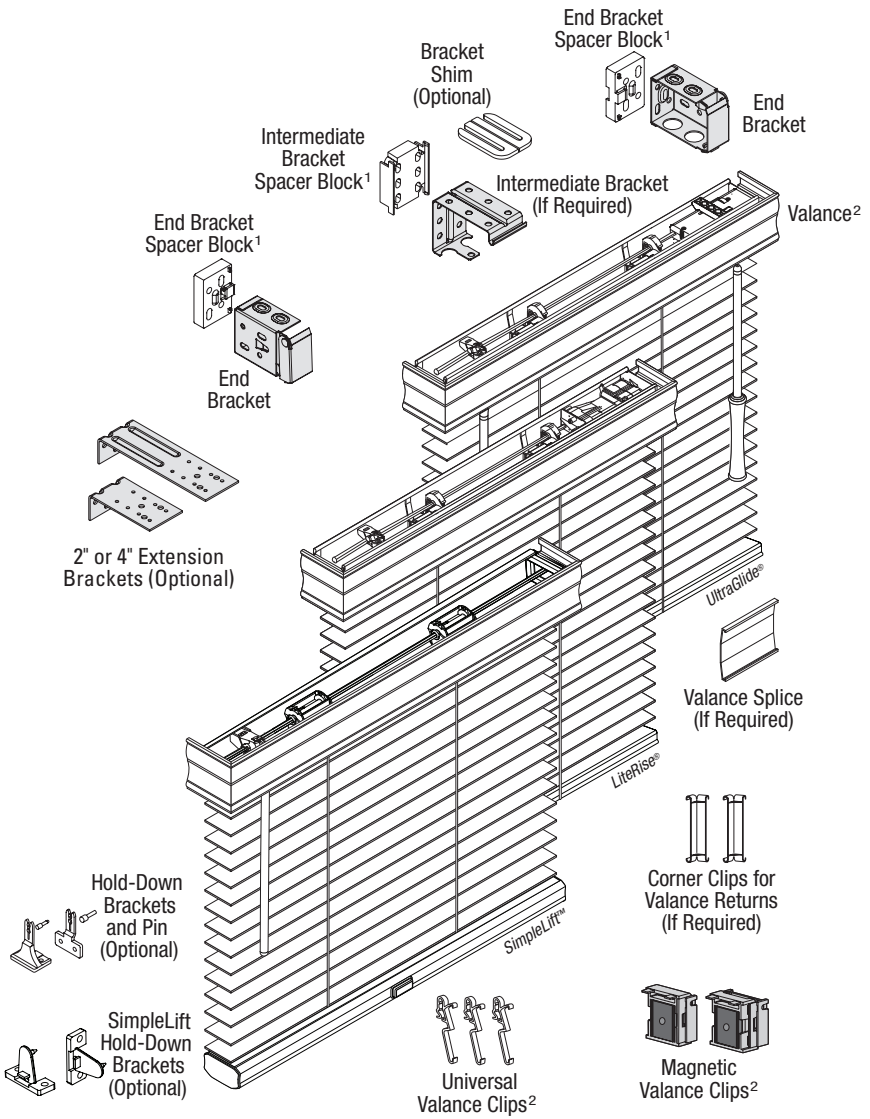
**Product View — Standard Cordlock and Moveable Slat Specialty Shapes**



<sup>1</sup> Required with 2 1/2" slat size; optional with 1 3/8" and 2" slat sizes.  
<sup>2</sup> Valance, valance clips, slats, bottom rail, tassel, and wand design varies by product.

# GETTING STARTED

## Product View — LiteRise®, SimpleLift™, and UltraGlide®



<sup>1</sup> Required with 2 1/2" slat size; optional with 1 3/8" and 2" slat sizes.

<sup>2</sup> Valance, valance clips, slats, bottom rail, tassel, and wand design varies by product.

Thank you for purchasing Hunter Douglas horizontal blinds. With proper installation, operation, and care, your new blinds will provide years of beauty and performance.

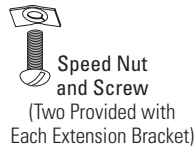
Please thoroughly review this instruction booklet and the enclosed packing list before beginning the installation.

## Tools and Fasteners Needed

- Ballpoint pen
- Flat blade and Phillips screwdrivers
- Level (laser level is recommended)
- Measuring tape and pencil
- Power drill,  $\frac{3}{32}$ " drill bit, and  $\frac{1}{4}$ " hex driver (or socket wrench with  $\frac{1}{4}$ " hex socket)

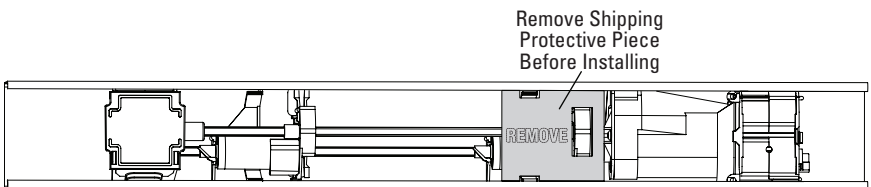
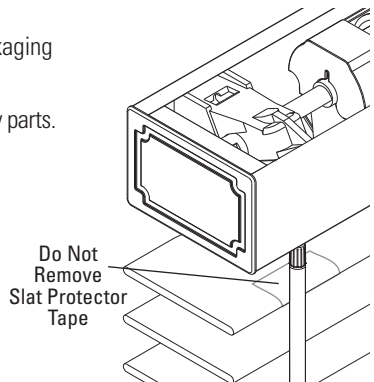
In addition, you will need fasteners designed to work with your specific mounting surface(s).

- **#6 Hex Head Screws (Provided).** Two  $1\frac{1}{2}$ " screws are provided per installation bracket.
- **Longer #6 Hex Head Screws (Not Provided).** If using spacer blocks, use #6 screws long enough for a secure attachment.
- **Speed Nuts and Screws (Provided).** Extension brackets come with screws and speed nuts.



## Unpack the Blind

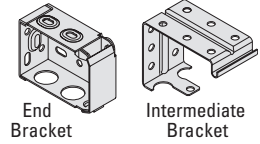
- Remove the blind from the package. Keep the packaging until the blind operates to your satisfaction.
- Refer to the packing list and check for all necessary parts.
- Contents of your hardware package may vary depending upon the options chosen.
- Do not remove the slat protector tape (if applied). Doing so will damage the slat finish.
- Remove shipping protection piece before installing (if applied).



# INSTALLATION

## Installation Overview

- Two end brackets are used to mount horizontal blinds. Wider blinds also require one or two intermediate brackets, as shown in the tables below.



### Standard Cordlock System

#### 1<sup>3</sup>/<sub>8</sub>" , 2" , and 2<sup>1</sup>/<sub>2</sub>" Wood Blinds 2" and 2<sup>1</sup>/<sub>2</sub>" Alternative Wood Blinds

| Width of Blind                         | Intermediate Brackets |
|--|-----------------------|
| Up to 48"                              | 0                     |
| 48 <sup>1</sup> / <sub>8</sub> " – 60" | 1                     |
| 60 <sup>1</sup> / <sub>8</sub> " – 96" | 2                     |

#### 2" Aluminum Blinds

| Width of Blind                          | Intermediate Brackets |
|---|-----------------------|
| Up to 48"                               | 0                     |
| 48 <sup>1</sup> / <sub>8</sub> " – 96"  | 1                     |
| 96 <sup>1</sup> / <sub>8</sub> " – 144" | 2                     |

### LiteRise® Operating System

#### 1<sup>3</sup>/<sub>8</sub>" , 2" , and 2<sup>1</sup>/<sub>2</sub>" Wood Blinds 2" and 2<sup>1</sup>/<sub>2</sub>" Alternative Wood Blinds

| Width of Blind                         | Intermediate Brackets |
|--|-----------------------|
| Up to 48"                              | 0                     |
| 48 <sup>1</sup> / <sub>8</sub> " – 60" | 1                     |
| 60 <sup>1</sup> / <sub>8</sub> " – 78" | 2                     |

#### 2" Aluminum Blinds

| Width of Blind                         | Intermediate Brackets |
|--|-----------------------|
| Up to 48"                              | 0                     |
| 48 <sup>1</sup> / <sub>8</sub> " – 90" | 1                     |

### SimpleLift™ Operating System

#### 1<sup>3</sup>/<sub>8</sub>" , 2" , and 2<sup>1</sup>/<sub>2</sub>" Wood Blinds 2" Alternative Wood Blinds

| Width of Blind                         | Intermediate Brackets |
|--|-----------------------|
| Up to 48"                              | 0                     |
| 48 <sup>1</sup> / <sub>8</sub> " – 60" | 1                     |
| 60 <sup>1</sup> / <sub>8</sub> " – 96" | 2                     |

#### 2" Aluminum Blinds

| Width of Blind                          | Intermediate Brackets |
|---|-----------------------|
| Up to 48"                               | 0                     |
| 48 <sup>1</sup> / <sub>8</sub> " – 96"  | 1                     |
| 96 <sup>1</sup> / <sub>8</sub> " – 120" | 2                     |

### UltraGlide® Operating System

#### 1<sup>3</sup>/<sub>8</sub>" and 2" Wood Blinds 2" Alternative Wood Blinds

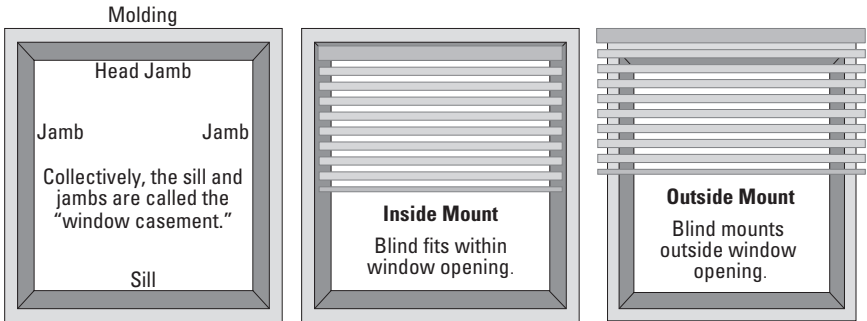
| Width of Blind                         | Intermediate Brackets |
|--|-----------------------|
| Up to 48"                              | 0                     |
| 48 <sup>1</sup> / <sub>8</sub> " – 60" | 1                     |
| 60 <sup>1</sup> / <sub>8</sub> " – 96" | 2                     |

#### 2" Aluminum Blinds

| Width of Blind                          | Intermediate Brackets |
|---|-----------------------|
| Up to 48"                               | 0                     |
| 48 <sup>1</sup> / <sub>8</sub> " – 96"  | 1                     |
| 96 <sup>1</sup> / <sub>8</sub> " – 112" | 2                     |

## Mounting Types and Window Terminology

If the installation brackets are mounted correctly, the rest of the installation process follows easily. To prepare for this important first step, review the mounting types and basic window terminology illustrated below.



■ Refer to the appropriate page below based on your order:

- **Inside or Ceiling Mount — Page 6**
- **Outside Mount — Page 8**

# INSTALLATION

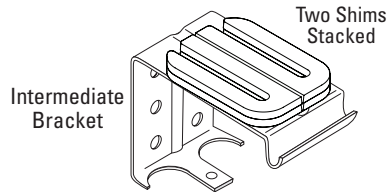
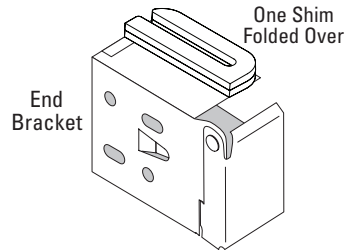
## Mount the Installation Brackets — Inside or Ceiling Mount

### Bracket Shims (Optional)

Bracket shims are used to gain clearance for valance clips with inside or ceiling mounts. One shim for each end bracket and two shims for each intermediate bracket are included.

- With each end bracket, first fold the shim and then position it on top of the end bracket to gain the required clearance.
- With each intermediate bracket, stack two unfolded shims.

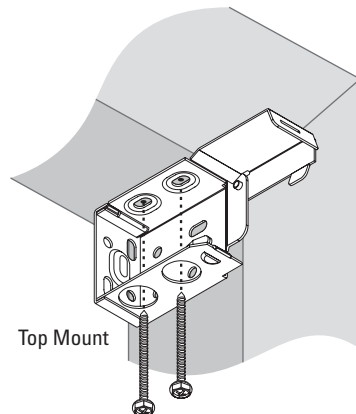
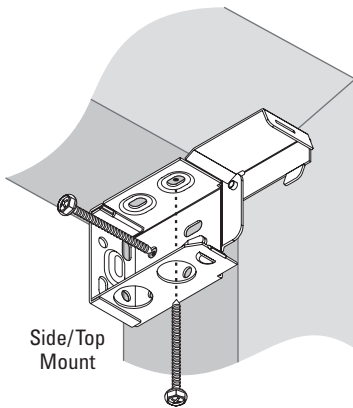
**NOTE:** Bracket shims may also be used to level the blind whenever the mounting surface is uneven. The shims can be cut along their fold line to make them thinner.



### Attach the End Brackets

With inside or ceiling mounts, attach the two end brackets flush against the sides of the window casement or to the ceiling. Choose the most appropriate of the following mounting methods:

- **Inside mount only (Side/Top Mount):** Mount the end brackets with one screw through a side hole and one screw through a top hole, as shown below left.
- **Inside mount only (Side Mount):** Mount the end brackets with two screws through diagonal side holes.
- **Inside or ceiling mount (Top Mount):** Top mount the end brackets with screws through the two top holes, as shown below right.
- **Ceiling mount only:** If the end brackets are flush with the back wall, attach them with one screw through a top hole and one through a rear hole.





- Use a  $\frac{3}{32}$ " drill bit to drill holes for the mounting screws.
- Attach the end brackets using the screws provided.

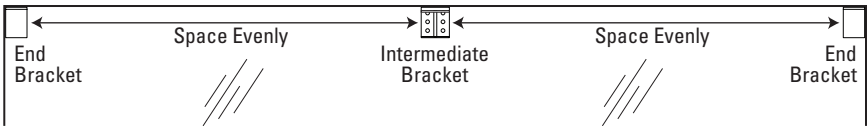
**IMPORTANT:** The front edges of the end brackets must align.

**NOTE:** For blinds with  $2\frac{1}{2}$ " slats, spacer blocks are used with inside mounts to position the end brackets a minimum of  $\frac{3}{8}$ " away from the glass. The spacing prevents the slats from rubbing the glass when they are tilted open.

- **Moveable Specialty Shapes with sloped headrail:** Only the top of each end bracket can be flush against the casement.

## **Attach the Intermediate Brackets (If Required)**

- Evenly space the intermediate bracket(s) between the two end brackets.
  - Adjust spacing if needed to avoid interference with internal headrail mechanisms.



- Attach the intermediate bracket(s) with two screws through diagonal top holes.

**IMPORTANT:** The rear of the end brackets and intermediate bracket(s) must align.

Proceed to "Install the Blind" on page 11.

# INSTALLATION

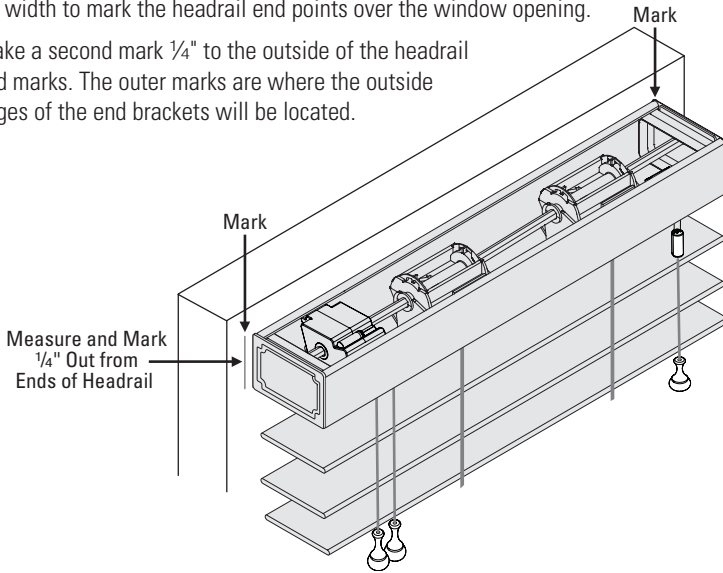
---

## Mount the Installation Brackets – Outside Mount

To attach the end brackets, a flat vertical surface of at least 1¾" is required for 1⅜", 2", and 2½" slat sizes.

### Mark the End Bracket Locations

- Mark where the ends of the headrail will be located.
  - Center the headrail over the window opening at the desired height. Use a pencil to lightly mark each end of the headrail.
  - Alternatively, measure the width of the headrail and use that width to mark the headrail end points over the window opening.
- Make a second mark ¼" to the outside of the headrail end marks. The outer marks are where the outside edges of the end brackets will be located.



### Attach the End Brackets

**NOTE:** The illustrations in this section show spacer blocks mounted with the end brackets for the 1⅜", 2", and 2½" slat sizes. Spacer blocks are required for all outside mount 2½" blinds, unless extension brackets are used. Spacer blocks are optional for 1⅜" and 2" slat sizes.

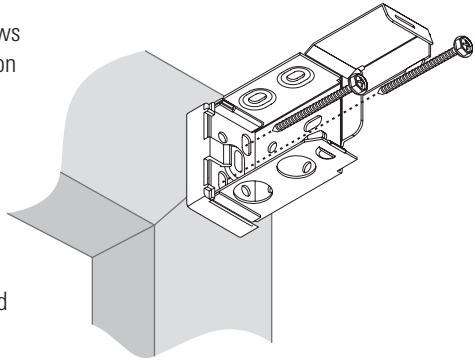
- Align the outside edge of each end bracket with the outer marks and mark diagonal screw holes.
  - Use a ⅜" drill bit to drill holes for the mounting screws.

- Attach the end brackets using two screws through diagonal holes.

- If using spacer blocks, use #6 screws long enough for a secure installation (2½" long screw recommended).

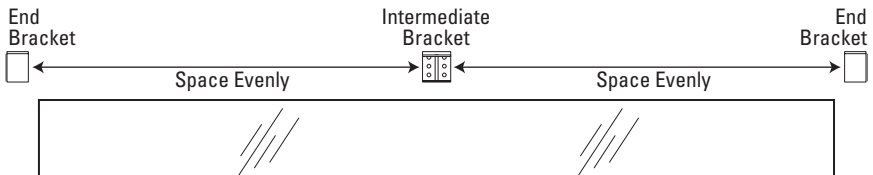
**IMPORTANT:** The tops of the end brackets must align.

**CAUTION:** The rear of the end brackets or spacer blocks must be flush against a flat mounting surface. Do not mount end brackets on a curved molding.



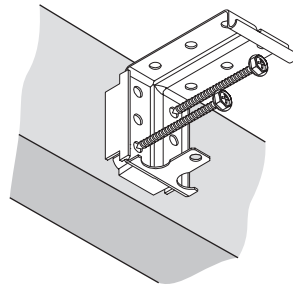
## Attach the Intermediate Brackets (If Required)

- Evenly space the intermediate bracket(s) between the two end brackets.
- Adjust spacing if needed to avoid interference with internal headrail mechanisms.



- Attach the intermediate bracket(s) with two screws through diagonal holes.

**IMPORTANT:** The tops of the end brackets and intermediate bracket(s) must align.



# INSTALLATION

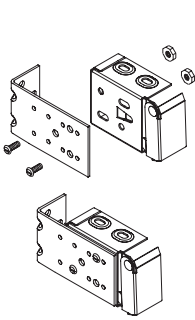
## Extension Brackets (Optional)

Attach 2" or 4" extension brackets to the mounting surface in the same locations where the end brackets and intermediate brackets would be attached.

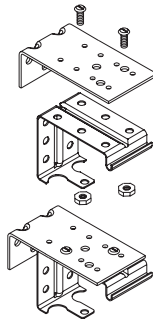
- Use the provided screws to mount each extension bracket.

**IMPORTANT:** The tops of the end brackets and intermediate bracket(s) must align.

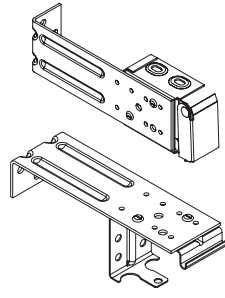
- Attach the installation brackets to the extension brackets using the screws and nuts provided, as shown below.



End Bracket  
with 2" Extension Bracket



Intermediate Bracket  
with 2" Extension Bracket

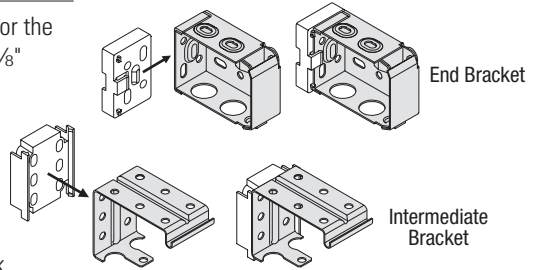


End and Intermediate Brackets  
with 4" Extension Bracket

## Spacer Blocks for 2½" Slat Size

**NOTE:** Spacer blocks are required for the 2½" slat size and are optional for 1¾" and 2" slat sizes.

- Attach a spacer block to each of the two end brackets.
- If one or more intermediate brackets is required (see chart on page 4), attach a spacer block to each intermediate bracket.
- If extension brackets will be used, it is not necessary to attach spacer blocks.



End Bracket

Intermediate  
Bracket

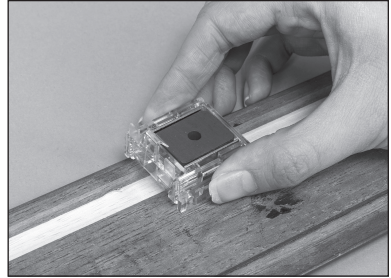
Proceed to "Install the Blind" on page 11.

## Install the Blind

### Attach the Magnetic Valance Clips to the Valance

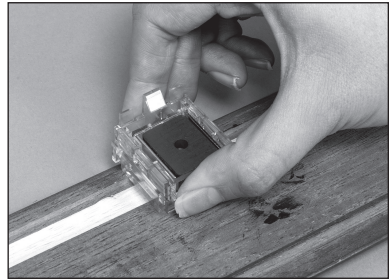
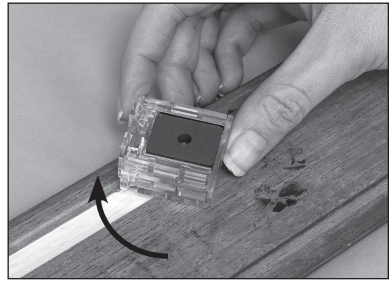
The magnetic valance clips are adjustable for quick and easy valance attachment and have multi-position valance adjustment capabilities.

- To install the clips, lay the valance face down on a protected surface with the back side up.
- Insert the clip dovetail into the valance groove.



- Twist the clip until it is straight with the clear tabs at the top of the valance.

- There are at least two clips per valance. For valances narrower than 36", position clips 5½" in from the ends of the valance. For valances 36" or wider, position the clips 10" in from the ends of the valance. Additional clips should be spaced evenly between the two end clips.

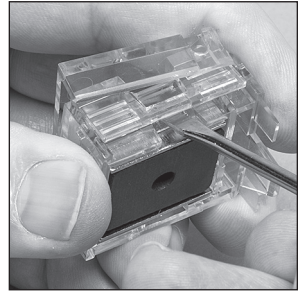
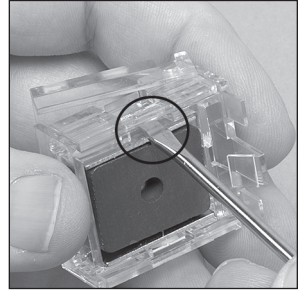


# INSTALLATION

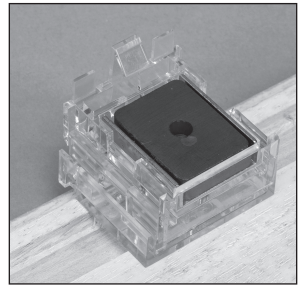
## Adding Projection for the Valance

The magnetic valance clips have a projection adjustment feature. By pulling the clips outward, the clips can provide an additional  $\frac{1}{4}$ " projection.

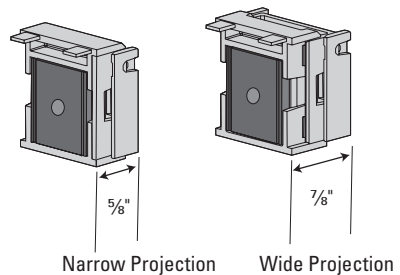
- Remove the clips from the valance.
- Insert a small flat blade screwdriver into the slot on one side of the magnet making sure the screwdriver is all the way down in the slot.
- Push the screwdriver in toward the magnet and then pull out to extend the clip.
- Repeat on the other side until the magnet is level.



- When the clips are in the correct position, place them back into the valance groove.



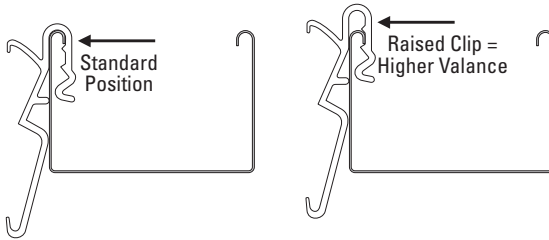
- The clips offer two projection positions. When the clips are fully compressed, the narrowest projection is  $\frac{5}{8}$ ". The widest projection is  $\frac{7}{8}$ ".



## Attach the Universal Valance Clips to the Headrail

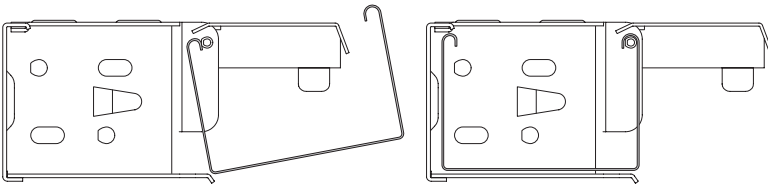
With fully recessed inside or ceiling mounts, the universal valance clips must be installed before mounting the headrail.

- Attach clips 2" from each end of the headrail.
- Space additional clip(s) evenly between the two end clips so that they are no more than 36" apart.
- Do not place the clips where they could interfere with internal headrail mechanisms.
- If desired, the valance may be positioned  $\frac{1}{4}$ " higher by raising the clips one notch up, as shown in the illustration below.

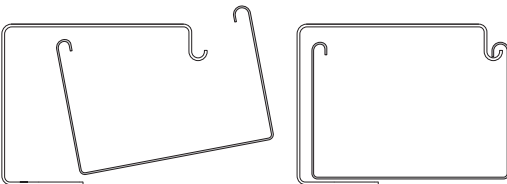


## Mount the Headrail

- Tilt the headrail so that its back lip slides under the front lip of the end brackets and intermediate bracket(s).
- Push the headrail against the back of the end brackets.
- Check that the front lip of the intermediate bracket(s) is under the front lip of the headrail.



End Bracket



Intermediate Bracket

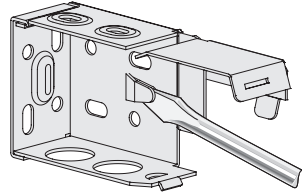
# INSTALLATION

---

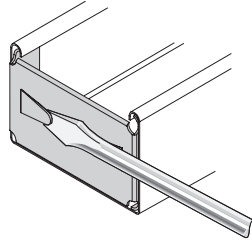
## Adjust the Headrail Tightness

- If the headrail is loose in the end brackets, bend the tabs on the end brackets outward.

**NOTE:** The tabs may also be bent inward if the headrail is difficult to install into the end brackets.

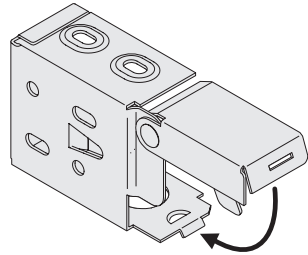


- If your headrail end brackets do not have adjustable tabs, bend the tabs on the headrail end locks to adjust headrail tightness.



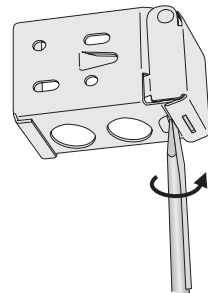
## Close the End Brackets

- Push the cover down until it snaps over the locking tab on the bottom of the end bracket.



## Open the End Brackets (If Necessary)

- To open the end brackets, insert a flat blade screwdriver between the bottom of the cover and the quick release tab, and twist.
  - You can also push up on the bottom of the end bracket to release the locking tab.



---

Proceed to "Complete the Installation" on page 15.

---



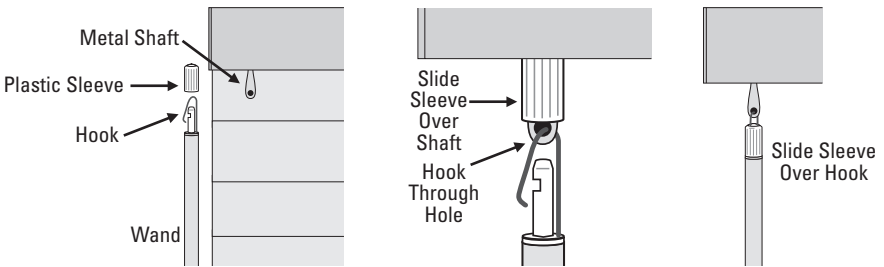
**Complete the Installation**

**Attach the Wand (If Ordered)**

If the blind was ordered with a wand tilter, attach the wand to the metal shaft.

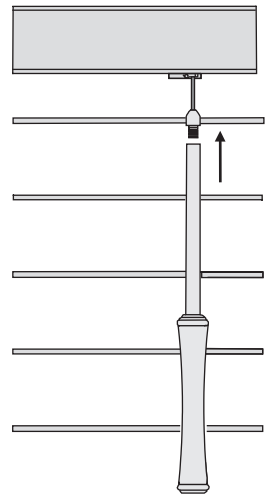
**NOTE:** Wands may appear different from the illustration, but assembly is the same.

- Pull the plastic sleeve from the top of the wand and insert it over the metal shaft.
- Insert the hook on the wand through the hole in the metal shaft.
- Slide the plastic sleeve down over the hook until firmly seated.
- Test the wand tilter. Approximately six revolutions of the wand should tilt the slats from fully closed up to fully closed down.



**Attach the UltraGlide® Pull Wand (If Ordered)**

If the blind was ordered with an UltraGlide® pull wand, screw the wand to the UltraGlide metal tip. Make sure the wand is screwed all the way onto the tip and is snug.



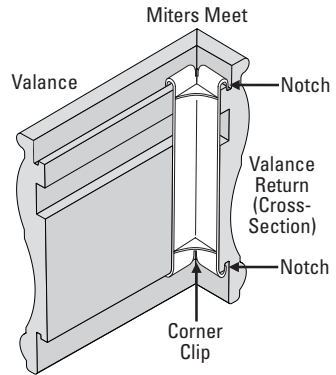
## INSTALLATION

### Attach the Corner Clips (If Required)

If the valance came with returns, connect the returns to the valance using the corner clips provided.

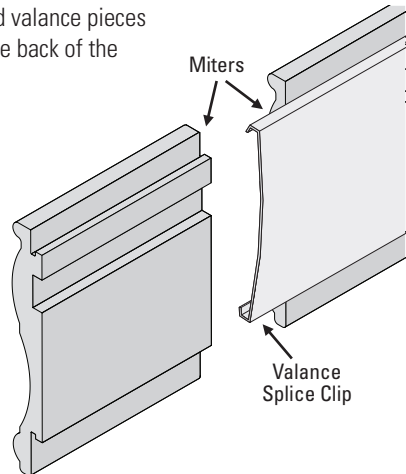
- The notches on the rear of the valance and returns fit into the grooves of the corner clips.
- Slide one end of each clip onto the rear of the valance until the center of the clip aligns with the edge of the miter cut at each end.
- Slide a return onto each corner clip until its miter is flush against the miter on the valance.

**NOTE:** Valance design varies by product.



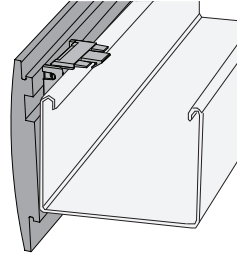
### Attach the Valance Splice (If Required)

For valances that are spliced, join the two mitered valance pieces together by sliding the valance splice clip over the back of the valance where the two halves meet.



## Attach the Valance with Magnetic Valance Clips

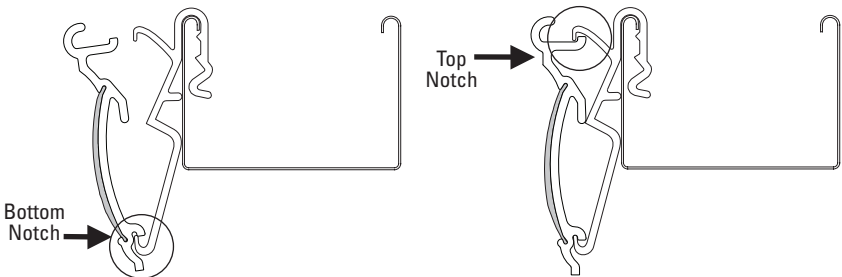
- Align the valance to the headrail.
- Hold the valance securely from the front side with both hands.
- Position the clips to the top-front lip of the headrail until it is level and in position.
- Press the valance gently forward, just enough so the clips adhere to the headrail.
- Adjust the valance projection:
  - **Inside Mount:** Press the valance forward until the face is flush with the opening or the clips are attached to the headrail.
  - **Outside Mount:** Press the valance forward until the clips are attached to the headrail. To minimize the gap between the valance return and the wall, follow the clip projection adjustment instructions on page 12.
- The magnetic valance clips allow for limited valance height adjustments by carefully sliding the clip up or down while the magnets are adhered to the headrail. The clip's tabs rest on the top-front lip of the headrail, keeping the valance level and preventing the valance from adjusting lower beyond that point.
- To remove the valance, gently pull the valance up and toward you.



**CAUTION:** The entire surface area of the magnet inside each clip needs to maintain clean contact with the front surface area of the headrail at all times.

## Attach the Valance with Universal Valance Clips

- Tilt the valance to insert its bottom notch into the bottom part of the clips.
- Pulling the valance slightly downward, insert the top notch of the valance into the clips, as shown.
- To remove the valance, gently pull the valance downward to release it from the top of the clips. Rotate the top of the valance toward you. Lift up the valance to release it from the bottom of the clips.



## INSTALLATION

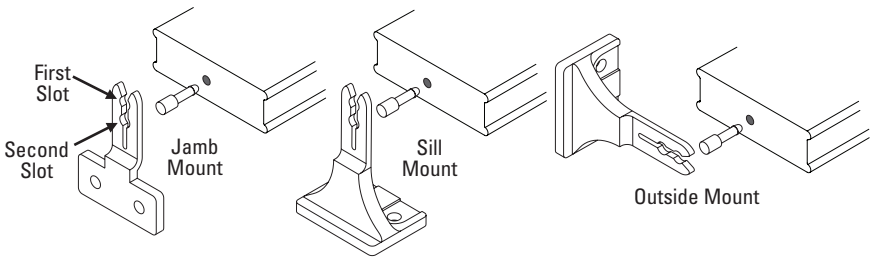
---

### Attach the Hold-Down Brackets (Optional)

- For wood and alternative wood bottom rails, the bottom rail will come with pre-drilled  $\frac{3}{32}$ " holes and hold-down pins that have been inserted in the center of the bottom rail ends. For aluminum bottom rails (excluding SimpleLift™), push out the perforated pin plug from each bottom rail end cap using a ballpoint pen or similar pointed object.

**NOTE:** Bottom rail design varies by product.

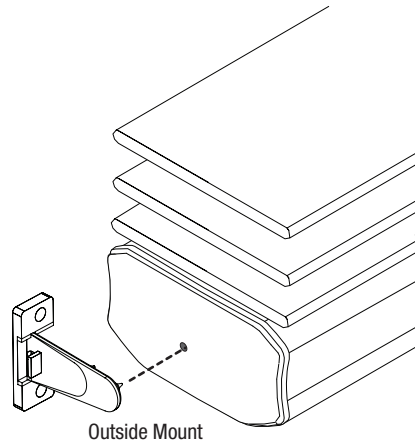
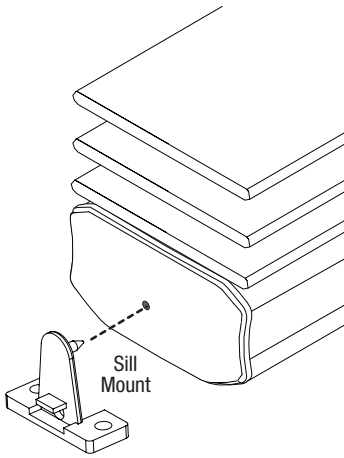
- To mount the hold-down brackets, first fully lower the blind. Align the hold-down brackets with the hold-down pins in the bottom rail.
  - Align the first slot with the  $2\frac{1}{2}$ " slot size.
  - Align the second slot with the  $1\frac{3}{8}$ " or 2" slot size.



- Maintain the correct slot alignment as you attach the hold-down brackets to the jamb, sill, or outside mounting surface.
- Slide the hold-down pins into the appropriate slot or hole on the hold-down brackets.
- If necessary with  $1\frac{3}{8}$ " or 2" outside mount blinds, the first slot of the hold-down brackets may be used in place of a spacer block.

**Attach the SimpleLift™ Hold-Down Brackets (Optional)**

- Lower the blind and place the pins from the hold-down brackets into the bottom rail end caps.
- Mark the screw holes on the mounting surface.
- Check that the hold-down brackets are aligned and attach them using the two screws provided.



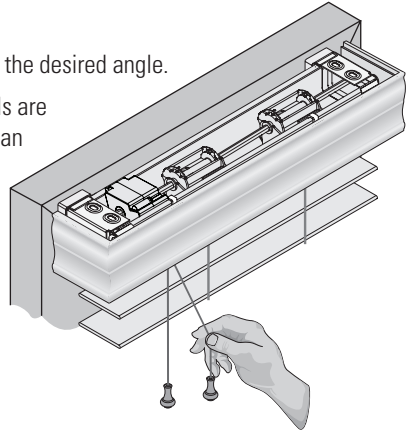
## OPERATION

---

### Operate the Blind

#### Tilting the Slats

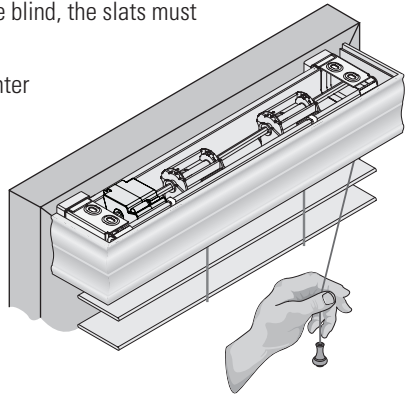
- **Wand tilt:** Rotate the wand to tilt the slats to the desired angle.
- **Cord tilt:** The two cords with individual tassels are for tilting the slats. Each cord tilts the slats in an alternate direction.



#### Raising and Lowering the Blind — Standard Cordlock System

**IMPORTANT:** Whenever raising or lowering the blind, the slats must be in the open position.

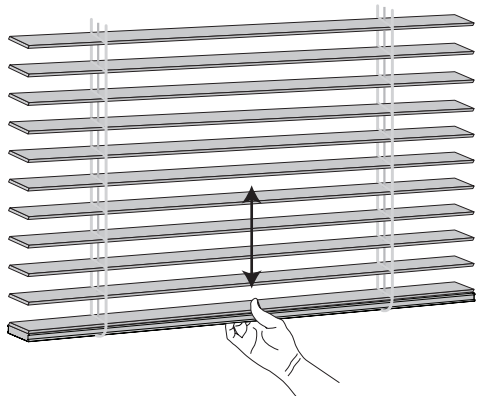
- Pull the single cord down and toward the center to raise and lower.
- Hold the single cord to the outside to lock the blind in position.



#### Raising and Lowering the Blind — LiteRise® Operating System

**IMPORTANT:** Whenever raising or lowering the blind, the slats must be in the open position.

- Grasp the bottom rail and push up to raise the blind.
- Grasp the bottom rail and pull down to lower the blind.



---

**Raising and Lowering the Blind — SimpleLift™ Operating System**

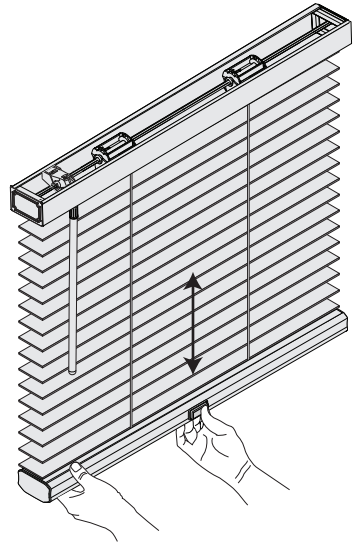
---

**To Raise the Blind:**

- Prior to raising or lowering, tilt the slats to the open position using the tilt mechanism on the left or right side of the blind.
- Grasp the bottom rail near the center with one hand while balancing the bottom rail with your other hand.
- Fully press the center button with your thumb and gently lift the bottom rail.
- Allow the slats to stack evenly by gradually lifting the bottom rail while the center button is fully depressed.
- Hold the bottom rail stationary at the desired position while releasing the button.
- **For inside mount blinds:** When raising the blind, pull the bottom rail slightly toward you. Press the center button and gently raise the bottom rail. Once the desired height is reached, hold the bottom rail in place while releasing the button. Place the blind back into the window opening and the blind will stay in that position.

**To Lower the Blind:**

- Prior to lowering the blind, fully press the center button with your thumb and pull the bottom rail down to the desired height while the button is fully depressed.
- Hold the bottom rail stationary at the desired position while releasing the button.
- **For inside mount blinds:** When lowering the blind, pull the bottom rail down and slightly toward you, approximately 1" beyond the sill. Release the button, then lift, and place the bottom rail up onto the sill.



## OPERATION

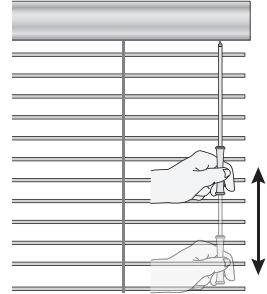
---

### Raising and Lowering the Blind – UltraGlide® Operating System

For smooth operation, keep the wand or cord close to the slats when raising and lowering the blind. Do not pull the wand or cord away from the blind.

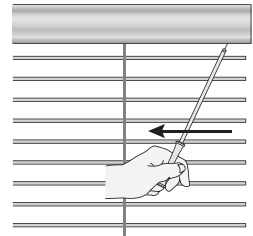
#### To Raise the Blind:

- Prior to raising or lowering, tilt the slats to the open position, using the tilt mechanism on the left side of the blind.
- Using the wand or cord on the right side of the blind, pull straight down in short, even strokes.  
**NOTE:** It is not necessary to use the full available stroke length. With each stroke, the blind partially raises.
- Allow the wand or cord to fully retract after each downward stroke.
- Use multiple strokes until the blind reaches the desired position. The locking mechanism is automatically engaged. No additional action is needed to maintain the raised position.



#### To Lower the Blind:

- Make sure the pull wand or cord is fully retracted.
- Pull the wand or cord directly toward the center of the blind at a 45° angle. You will hear a “click” as the locking mechanism releases. The blind lowers as you allow the wand or cord to return to the vertical position.  
**IMPORTANT:** The wand or cord must be pulled toward the center of the blind. Do not pull away from the blind or in a downward direction.
- To stop the blind while lowering, move the wand or cord back toward the vertical position and give a slight downward pull, until the locking mechanism engages. Otherwise, the blind will descend gently to the fully lowered position.



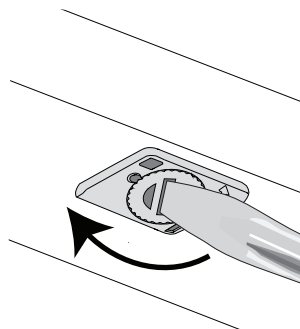


## Troubleshooting

|                 |   |
|-----------------|---|
| <b>Problem</b>  | The blind will not fit into the installation brackets.  |
| <b>Solution</b> | <p>Check that the installation brackets are level and aligned. Adjust and/or shim to level, if necessary.</p> <p>Be sure the heads of the mounting screws are flush against the installation brackets.</p> <p>Check that the headrail is completely inserted into the installation brackets. See "Mount the Headrail" on page 13.</p> |
| <b>Problem</b>  | The blind does not tilt.  |
| <b>Solution</b> | <p>Check that the tilt cords are not tangled or knotted.</p> <p>Check that the ladders have not become disengaged from the tape rolls.</p> <p>Check that the tilt rod is fully inserted into the tilt gear.</p>   |
| <b>Problem</b>  | The blind does not raise or lower evenly.   |
| <b>Solution</b> | <p>Check inside the headrail. Make sure no obstructions keep the mechanism from turning.</p> <p>Check that the lift cords are not pinched or tangled.</p>   |
| <b>Problem</b>  | Lift cords are bunching by the safety cord connector.   |
| <b>Solution</b> | Make sure the slats are in the open position. Raise and lower the blind to straighten the lift cords.   |
| <b>Problem</b>  | Lift cords are stuck or jammed.   |
| <b>Solution</b> | Check the cords and the moveable pin in the cordlock mechanism inside the headrail of the blind. Make sure the cords can move freely. If the cords are jammed, use a screwdriver or needle-nose pliers to move the pin and free the cords.  |
| <b>Problem</b>  | Decorative tapes are wrinkled after installation.   |
| <b>Solution</b> | Use a steamer to steam out the wrinkles. Wave the steamer in front of the tapes for a few seconds. Do not touch the slats with the steamer. To avoid stretching the tapes, do not pull down on the bottom rail while steaming.  |

## OPERATION

|                 |   |
|-----------------|---|
| <b>Problem</b>  | When hanging, the slat pack appears to be skewed toward the cordlock side of the unit, particularly in an inside mount installation.  |
| <b>Solution</b> | Slide the headrail in the end brackets in the opposite direction of the skew and adjust the tabs in the end brackets to maintain the position of the unit. This will center the slat pack in the window.  |
| <b>Problem</b>  | <b>SimpleLift™ blinds only:</b> When raising the blind, slats are not stacking evenly and are falling over the bottom rail.   |
| <b>Solution</b> | The blind was raised too quickly. Gently raise the bottom rail to give the lift cords time to retract. The slats will then stack evenly on the bottom rail.   |
| <b>Problem</b>  | <b>SimpleLift blinds only:</b> The bottom rail is not level or the blind height is incorrect.   |
| <b>Solution</b> | <p>Check that the headrail and installation brackets are level and aligned. Adjust and/or shim the installation brackets to level, if necessary.</p> <p><b>Level the Bottom Rail or Correct Blind Height:</b></p> <p><b>NOTE:</b> All skew adjustment features are located under the headrail.</p> <ul style="list-style-type: none"><li>■ To level the blind, raise the low side of the bottom rail by turning the skew adjustment feature on the headrail clockwise with a coin or screwdriver while lifting the weight from the bottom rail.</li></ul> <p><b>NOTE:</b> Turn the skew adjustment that is on the same side as the low side of the bottom rail.</p> <ul style="list-style-type: none"><li>■ If the blind height is too long, turn all of the skew adjustment features clockwise to raise the entire bottom rail to the desired height while lifting the weight from the bottom rail. There is an adjustment range of approximately 1¼".</li></ul> |
| <b>Problem</b>  | <b>SimpleLift blinds only:</b> The blind makes a ratcheting noise while the center button is pushed in and the bottom rail is being raised.   |
| <b>Solution</b> | Push harder on the center button. The button must be fully depressed to raise or lower the blind.   |



|                 |   |
|-----------------|---|
| <b>Problem</b>  | <b>UltraGlide® blinds only:</b> The blind is hard to raise or lower, or will not raise or lower.  |
| <b>Solution</b> | Be sure the pull wand or cord is being pulled straight down and close to the blind.<br>Check that the bottom rail is not obstructed or held in place with hold-down brackets.   |
| <b>Problem</b>  | <b>UltraGlide blinds only:</b> The lowering mechanism engages and “clicks” but the blind does not lower.  |
| <b>Solution</b> | The UltraGlide mechanism is caught between the raising and lowering functions. Simply pull the wand or cord vertically to slightly raise and reset the blind. Then, lower as usual.   |
| <b>Problem</b>  | <b>UltraGlide blinds only:</b> The blind does not stay in place as the wand or cord retracts during raising.  |
| <b>Solution</b> | The lowering mechanism has been engaged. Be sure to pull down on the pull wand or cord, not out or across the blind.  |
| <b>Problem</b>  | <b>UltraGlide blinds only:</b> The blind will not lower when the wand or cord is pulled toward the center of the blind.   |
| <b>Solution</b> | The pull wand or cord must be in the fully retracted position to engage the lowering mechanism. Be sure the wand or cord is being pulled from the fully retracted position directly toward the center of the blind, not down then over. |

### Removing the Blind (If Necessary)

- Fully raise the blind.
- To remove the valance with magnetic valance clips, see page 17.
- To remove the valance with universal valance clips, see page 17.
- Push up on the bottom of the end bracket to release the locking tab.
- Grab underneath the headrail using both hands and carefully pull the blind out of the end brackets.

### Cleaning Procedures

Like any fine furnishings, Hunter Douglas wood, alternative wood, and aluminum blinds should be cleaned regularly to keep them looking new.

#### Wood, Alternative Wood, and Aluminum Blinds

- Dust regularly. Use a soft clean cloth, chemically-treated dust cloth, or dusting mitt. Lower the blind to its full length, tilt the slats almost all the way down, and dust. Then tilt the slats almost all the way up and dust. (Not closing the slats all the way allows dusting where the slats overlap.)
- Blinds may also be vacuumed. Use the brush attachment and tilt the slats up and down as described for dusting.
- Another way to clean blinds is simply by wiping them with a soft, damp cloth.

#### Wood Blinds Only

- Stained blinds, like wood furniture, should be treated periodically with lemon oil or other wood preservative to protect their finish and enhance their luster.

#### Alternative Wood and Aluminum Blinds

- Wash the slats only using a non-abrasive mild detergent solution. Allow to air dry to preserve the dust repellent properties of the slats.
- For a more thorough cleaning, metal or alternative wood bottom rails and slats may be immersed in a bathtub. Do not immerse headrails, wood bottom rails, or SimpleLift™ bottom rails. Bathtub cleaning is not recommended for blinds with decorative tapes.

**IMPORTANT:** Hunter Douglas does not recommend ultrasonic cleaning of wood, alternative wood, or aluminum blinds.

#### A Note About Wood Products

Hunter Douglas wood blinds are true wood products, made from 100% hardwood. There will be variations in color, grain, and texture that are characteristic of all woods. These variations will be especially visible in blinds with light color stains. The variations are normal and are considered acceptable quality.



# WARNING

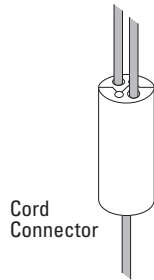
For more safety information call 1-888-501-8364 in the U.S. or 1-800-265-8000 in Canada.

- Young children can **STRANGLE** in cord loops. They can also wrap cords around their necks and **STRANGLE**. In addition, inner cords can pull out to form a loop, which can **STRANGLE** a young child.
- Always keep cords out of the reach of children.
- Move cribs, playpens, and other furniture away from cords. Children can climb furniture to get to cords.
- Do not tie cords together. Make sure cords do not twist together and create a loop.



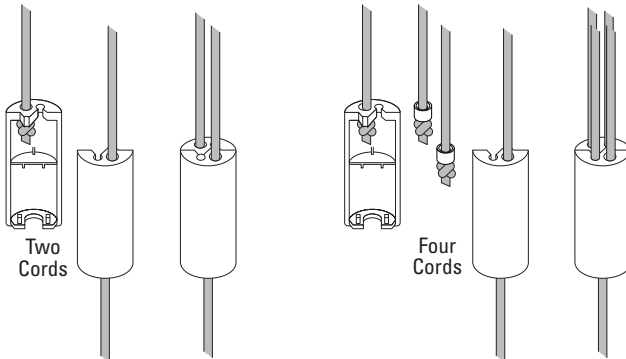
## Cord Connector

- This component acts as a stopper to prevent inner cords from being pulled through the blind, which can pose the risk of entanglement.
- It is also designed to break apart under pressure.



## Reassembly of Cord Connector

- Reinsert any loose cords into the top notches of the cord connector. There is a notch on each side.
- Line up the two halves of the cord connector and snap the pieces back together.



## CHILD SAFETY

---

### Cord Cleats

**Hunter Douglas offers cord cleats and we recommend their use.**

- Attach two cord cleats 6" to 12" apart at a height where they will be out of the reach of children. Take into account that a child may stand on furniture attempting to reach the cords. Be sure the cleats are firmly secured.
- Once the cleats are attached, wrap excess cord around them after each use of the blind.



**NOTE:** The warning labels on the bottom rails of corded blinds contain important safety information. These warning labels are designed to be permanent, in accordance with the industry's safety standards, and must not be removed.



## LIFETIME GUARANTEE

The Hunter Douglas® Lifetime Guarantee is an expression of our desire to provide a thoroughly satisfying experience when selecting, purchasing and living with your window fashion products. If you are not thoroughly satisfied, simply contact Hunter Douglas at (888) 501-8364 or visit [hunterdouglas.com](http://hunterdouglas.com). In support of this policy of consumer satisfaction, we offer our Lifetime Limited Warranty as described below.

### COVERED

#### BY A LIFETIME LIMITED WARRANTY

- Hunter Douglas window fashion products are covered for defects in materials, workmanship or failure to operate for as long as the original retail purchaser owns the product (unless shorter periods are provided below).
- All internal mechanisms.
- Components and brackets.
- Fabric delamination.
- Operational cords for a full 7 years from the date of purchase.
- Repairs and/or replacements will be made with like or similar parts or products.
- Hunter Douglas motorization components are covered for 5 years from the date of purchase.

Hunter Douglas (or its licensed fabricator/distributor) will repair or replace the window fashion product or components found to be defective.

### NOT COVERED

#### BY A LIFETIME LIMITED WARRANTY

- Any conditions caused by normal wear and tear.
- Abuse, accidents, misuse or alterations to the product.
- Exposure to the elements (sun damage, wind, water/moisture) and discoloration or fading over time.
- Failure to follow our instructions with respect to measurement, proper installation, cleaning or maintenance.
- Shipping charges, cost of removal and reinstallation.

### TO OBTAIN WARRANTY SERVICE

1. Contact your original dealer (place of purchase) for warranty assistance.
2. Visit [hunterdouglas.com](http://hunterdouglas.com) for additional warranty information, frequently asked questions and access to service locations.
3. Contact Hunter Douglas at (888) 501-8364 for technical support, certain parts free of charge, for assistance in obtaining warranty service or for further explanation of our warranty.

**NOTE:** In no event shall Hunter Douglas or its licensed fabricators/distributors be liable or responsible for incidental or consequential damages or for any other indirect damage, loss, cost or expense. Some states do not allow the exclusion or limitation of incidental or consequential damages, so the above exclusion or limitation may not apply to you. This warranty gives you specific legal rights, and you may also have other rights which vary from state to state.

Different warranty periods and terms apply for commercial products and applications.

**HunterDouglas**   
[hunterdouglas.com](http://hunterdouglas.com)

